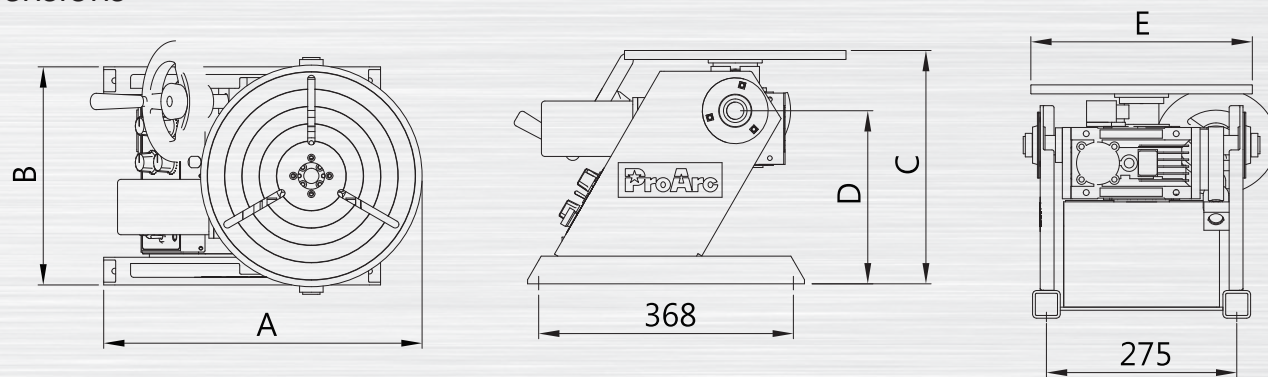


## Welding Positioners Specification

Model	Unit	PT-103/104	PT-203/204
Power input	~	1 Phase 100-240V 50/60Hz	
Capacity(Horizontal/Vertical)	kg	100 / 60	200 / 130
Rated eccentricity	mm	A : 180 B : 90 C : 60 D : 45	A : 84 B : 42 C : 28 D : 10
Table dimension(E)	mm	320	
Rotation speed	rpm	A : 0.3-4 B : 0.6-8 C : 0.8-12 D : 1-16	
Spindle thru hole	mm	22	
Earthing	Amp	200@100% / 300@40%	
Tilt range	deg.	0-120	
Welding timer	sec.	0-60	
Overall length (A)	mm	460	
Overall width (B)	mm	315	
Overall height (C)	mm	340	
Center to floor(D)	mm	250	
Net weight	kg	38	42

## Dimensions



# E.Z.ARC SYSTEM

Semi-automation welding package



## E.Z.Arc circumferential welding system

ProArc deliver the new generation E.Z.Arc circumferential welding system with the widest choice of components, we help customer to create your automatic welding system more easily and perform best welding quality.

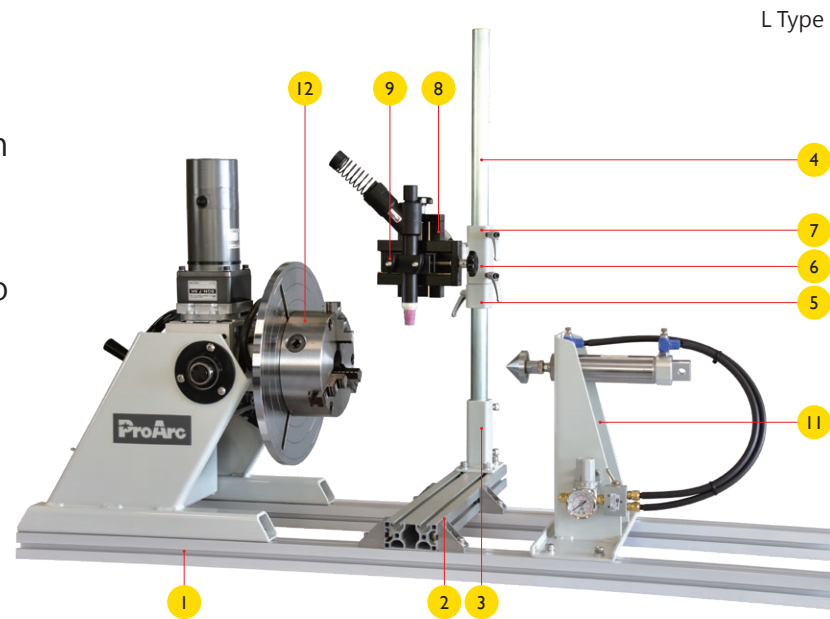


Fig. No.	Part No.	Description / Specification	S	R	L	U
1	1106	Base rail, 600 mm long	1 *			
	1112	Base rail, 1200 mm long		1 *	1 *	
	1115	Base rail, 1500 mm long				
	1118	Base rail, 1800 mm long				
2	4195	Main bracket				1
	2050	Mounting rail, 500 mm long	1	1	1	
3	2065	Mounting rail, 650 mm long				1
	2111	End bracket	1	1	1	
4	2281	End bracket				1
	3175	Column tube, 750 mm long	1	1	1	
5	3164	90° column tube, 600 mm x 400 mm				1
	2104	Support bracket	1	1	1	1
6	2144	Cross bracket	1	1	1	1
7	3140	Boom tube with mounting pad, 400 mm long	1	1	1	1
8	SL-050	Slide, 50 mm stroke (manual)	2	2	2	2
	SL-075	Slide, 75 mm stroke (manual) - Option				
9	AH-035	Any angle torch holder, Ø15-35 mm				
	VH-035	V-Block torch holder, Ø15-35 mm	1	1	1	1
10	IS-300	Idler stand, Ø30-300 mm		1		
11	TS-075	Tailstock, 75 mm stroke (pneumatic)			1	
	TS-075S	Tailstock, 75 mm stroke (pneumatic)				1

\* The standard length of the type, other length available.



### Options

Fig. No.	Part No.	Description / Specification
12	PG-150	3-Jaw chuck, OD 4 - 150 mm (option)
	PG-450L	3-Jaw chuck, OD 4 - 450 mm (option)
	PG-500	3-Jaw chuck, OD 4 - 500 mm (option)
13	TA-101	Pneumatic torch actuator
	TL-101	Pneumatic torch lift
14	CB-102	Sequencer, original sensor control
	CB-102D	Digital sequencer, original sensor control
15	CB-107	Smart controller, fully automated welding control
16	VSFC-1K	Variable speed foot control
17	TG-300	Tungsten Grinder Ø1.0 ~ 4.8 mm
		Fine diamond grinding wheel

### Features

- Modern style and more compact design
- Advanced design PCB for new control box
- White base achromatic color suitable for any brand of welding power source
- High frequency protected
- Standard / digital type in 4 rotation speed available
- 2 year warranty
- CE Conformity

Fig. No.12

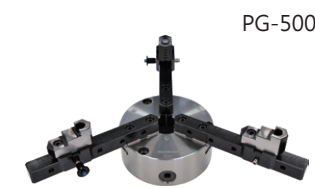


Fig. No.13



Fig. No.15



### Smart controller

- Intuitive operating user interface
- Sequence timer
- 100 programs save/load
- Linear speed auto calculation
- User account control
- Alarm history

